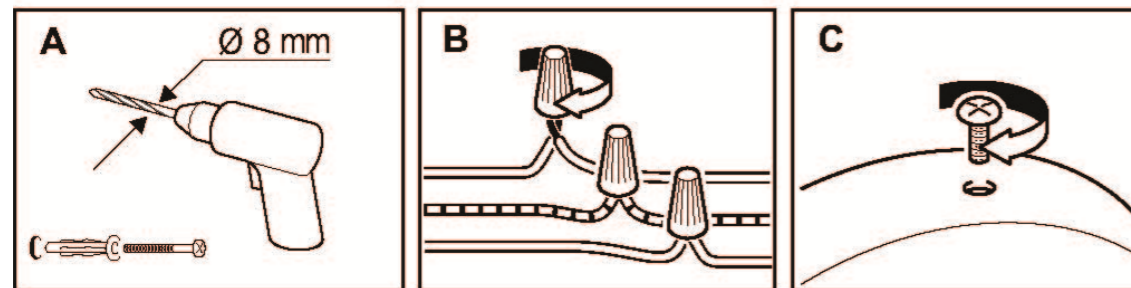
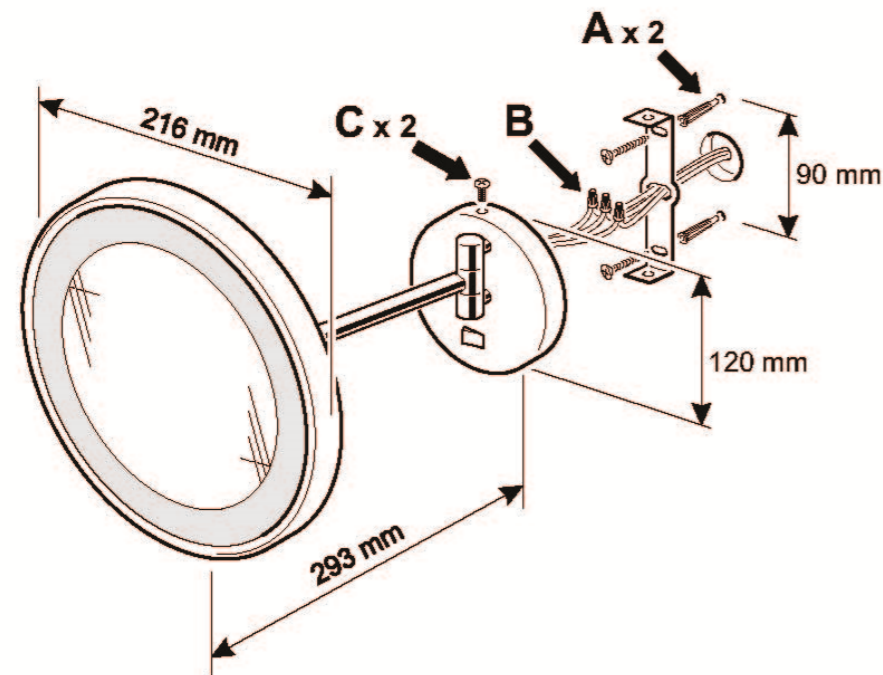


Fig. 1

Mod. 207.05



Valera

Magnifying mirror with light
Beleuchteter Vergrößerungsspiegel
Miroir grossissant éclairant
Specchio Ingranditore illuminato

Model
207.05

Distributed by Ligo Electric SA
Via Ponte Lavaggio 9
6853 Ligornetto / Mendrisio - Switzerland
Valera is a registered trademark of Ligo Electric S.A. - Switzerland

ENGLISH

Instructions for installation and use
 Magnifying mirror with light
 Model 207.05
 Read these instructions carefully before installation and use.
 Available also on www.valera.com

INSTRUCTIONS FOR INSTALLATION
ATTENZIONE: this operation must be carried out by a qualified technician. Read the safety warnings carefully before fitting this appliance.
 Before touching the electrical wiring, disconnect the appliance from the power supply.
 This appliance is designed exclusively for wall assembly and installation.

The mirror is produced with protection degree IP44 (EN 60529). For installation specifications, please refer to national regulations on the use and installation of appliances with IP44 protection from splashing.

Assembly and installation procedure - see figure 1.

SAFETY WARNINGS

- **Before use, the appliance must be fitted and properly installed by a qualified electrician .**
- Important: In order to guarantee additional protection, it is recommended that a differential breaker with an intervention current not greater than 30 mA is installed in the electrical system which feeds the device. For further information, contact a qualified electrician.
- Make sure the unit is perfectly dry before using it.
- **WARNING:** Do not use this appliance near bathtubs, shower, basins or other vessels containing water.
- This appliance can be used by children of 8 years and over, and by persons with limited physical, sensory or mental abilities or who lack the relevant experience and knowledge, if they are suitably supervised or have been instructed in safe appliance use and made aware of the associated risks.
- Do not allow children to play with the appliance.
- Children must not perform cleaning and maintenance procedures unless supervised.
- If the supply cord is damaged, it must be replaced by the manufacturer, its service agent or a similarly qualified person in order to avoid a hazard. Do not use your unit if it is not working properly. Do not try to repair this electrical unit yourself, rather contact an authorized technician.
- When the appliance is used in a bathroom, unplug it after use since the proximity of water presents a hazard even when the appliance is switched off.
- Plug the hairdryer into an alternating current outlet only, and make sure that the voltage for your electricity supply is the same as that indicated on the rating plate of the appliance.
- **Do not immerse in water or other liquids.**
- **Never put the appliance in a place where it could fall into water or in other liquids.**
- **Do not try to recover an electric appliance fallen into water, but unplug it immediately from the mains supply.**
- Turn the unit off when you put it down.
- Unplug the appliance when not in use, but never do it by pulling the cord.
- The elements used to pack the appliance (plastic bags, cardboard box, etc...) must not be left within reach of small children, as they are a potential source of danger.
- Always warn children of the dangers of electrical appliances, and of the safety precautions that must be taken. Never leave electrical appliances within reach of children.

IMPORTANT

This appliance complies with safety requirements for electrical equipment.
 The manufacturer will not be considered liable for any damage to persons or property deriving from failure to comply with the above recommendations, or improper use of the appliance.
 This appliance conforms to European Directives 2014/30/EU, 2014/35/EU, 2011/65/EC, 2006/125/EC and Regulation (EC) No. 1275/2008.



